



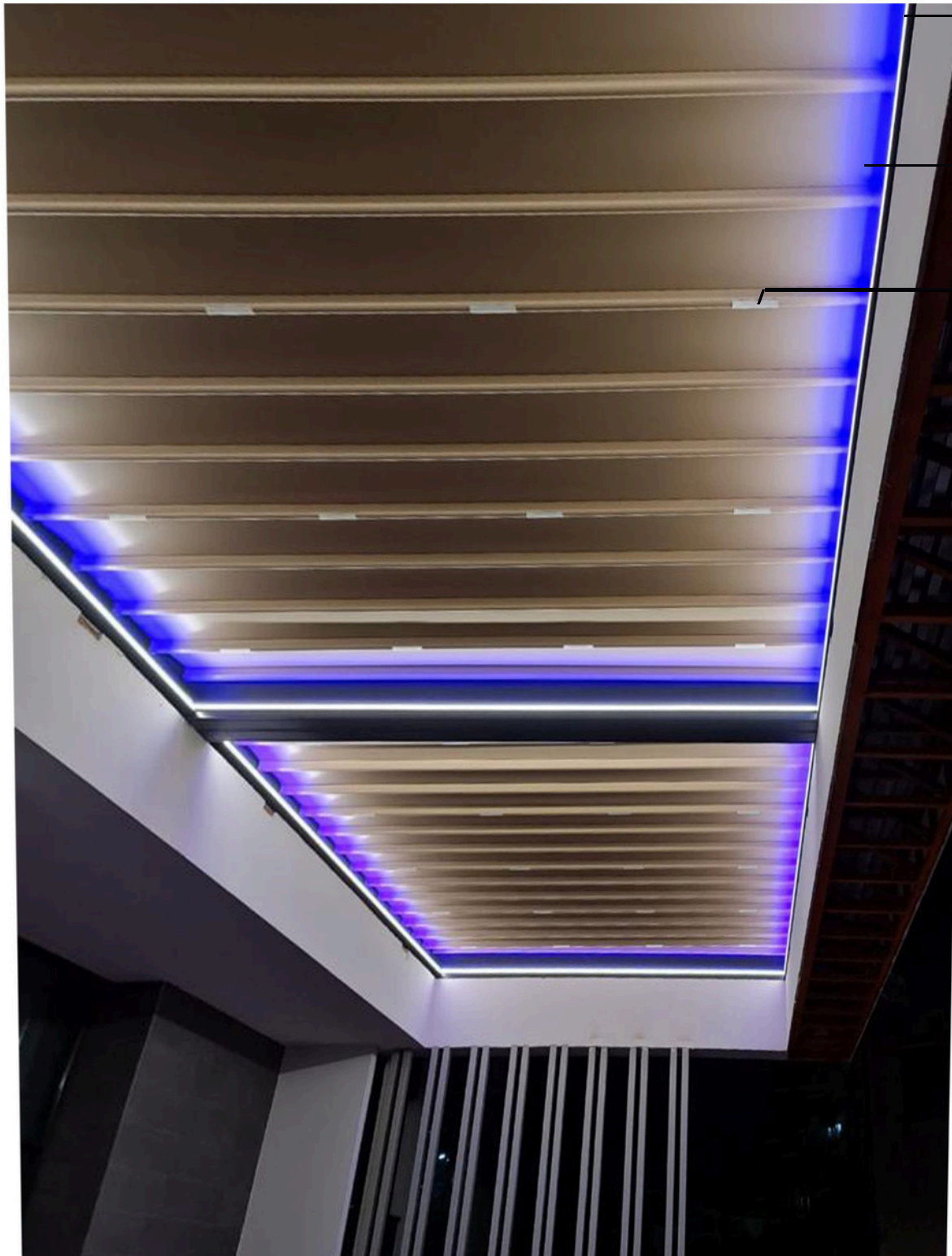
CUBEX

Distinctive aesthetic style with intelligent lighting control...

Cubex system that combines sophisticated technology and innovative concept is created to breathe new life into outdoor living areas with its modern architectural form along with a unique sense of design. Cubex is characterized by an advanced technology and exalting the product aesthetics.

Cubex has clean modern lines with a minimalist geometric appearance and it is the latest in Sunroof's extensive contemporary collection of outdoor living solutions. System also introduces innovative world's first lighting that is integrated within the fabric layer by inspired unique asymmetrical lines. The patented lighting system is also equipped with RGB Led - Hidden Stripe lighting to vary color and Led Stripe Dimmer lighting on sides within the structure to provide intensity or HDD Lux High Power Led lighting options integrated on fabric.

Individual modules can be customised up to 5.5m wide and 8m projection with flexible installation methods such as integration to existing structures, wall mounting and free standing for larger outdoor areas.



Led Stripe Dimmer Lighting illuminates all around the system and creates a warm atmosphere. Dimmable Soft Led Stripe lighting on sides within the structure provides intensity of daylight (2800K) or cool white (5100K) options.

RGB Led-Hidden Stripe Lighting provides ultimate luxury by creating distinctive atmosphere in outdoor living areas with infinitive colour options.

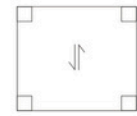
Hdd Lux High Power Led integrated lighting profiles on fabric creates sufficient ambient light during evening.



Flexible installation methods are available with mounting and free standing instalations and they can even be served as a roof assembled to existing frameworks.



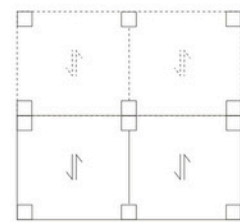
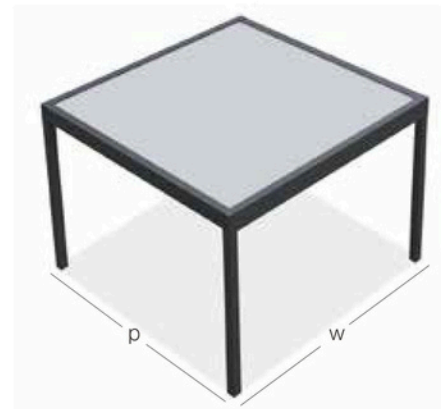
Blocked assembly for customised modules with a range of flexible combinations.



(w) Width
150 cm < 550 cm

(p) Projection
150 cm < 800 cm

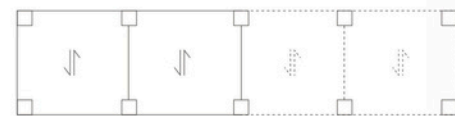
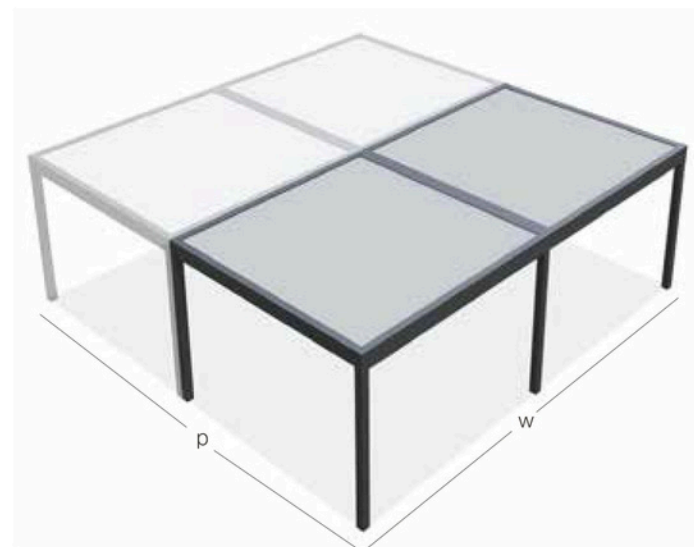
(h) Height
300 cm



(w) Width
300 cm < 1100 cm

(p) Projection
300 cm < 1600 cm

(h) Height
300 cm



(w) Width
600 cm < 2200 cm

(p) Projection
150 cm < 800 cm

(h) Height
300 cm



Intra-Column Drainage Pipe

The water can be drained through internal drainage pipe and it eliminates factors that could block correct water flow. Intra-column drainage pipe collects the water and discharges to the ground.



Hidden drainage

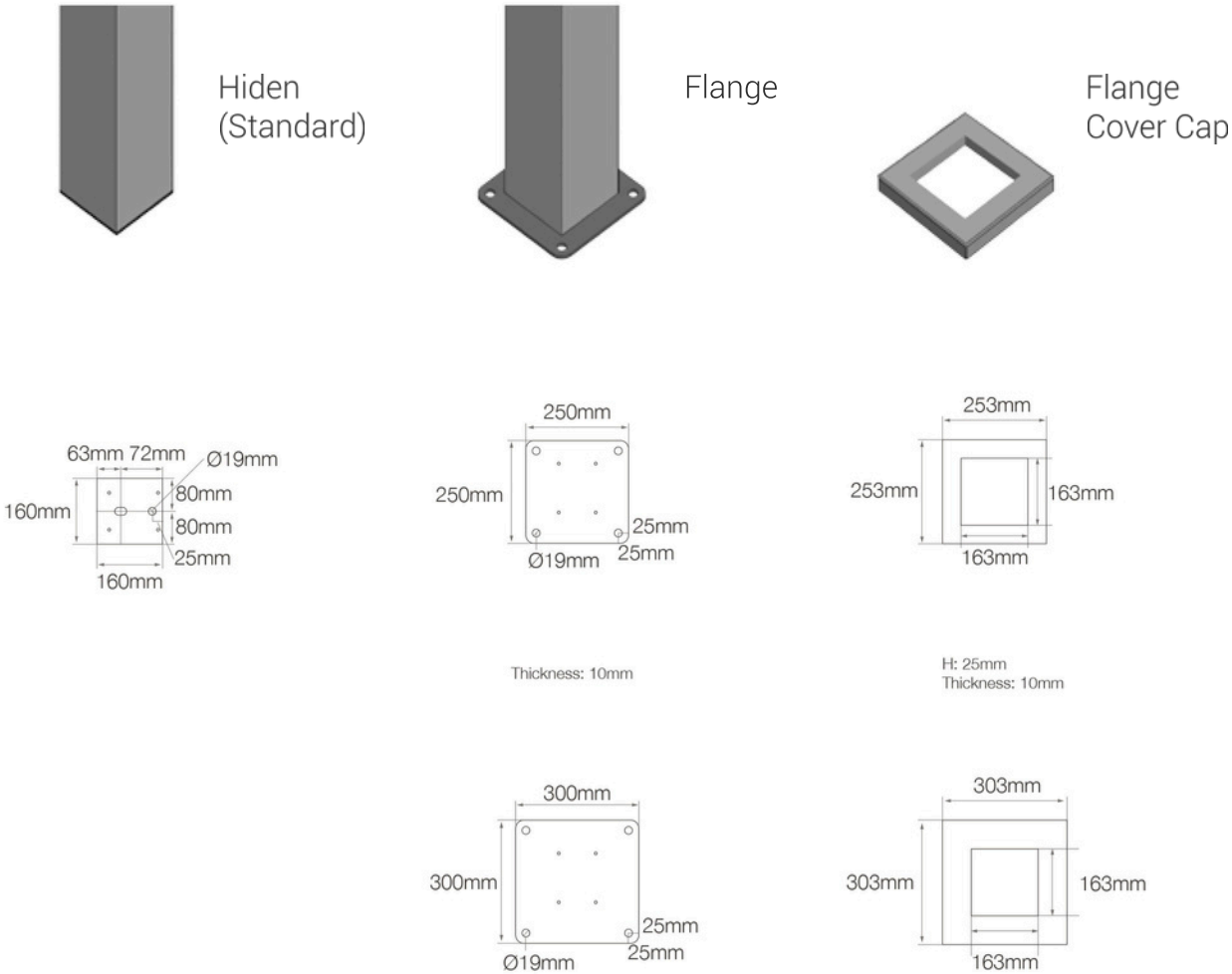


Standard drainage

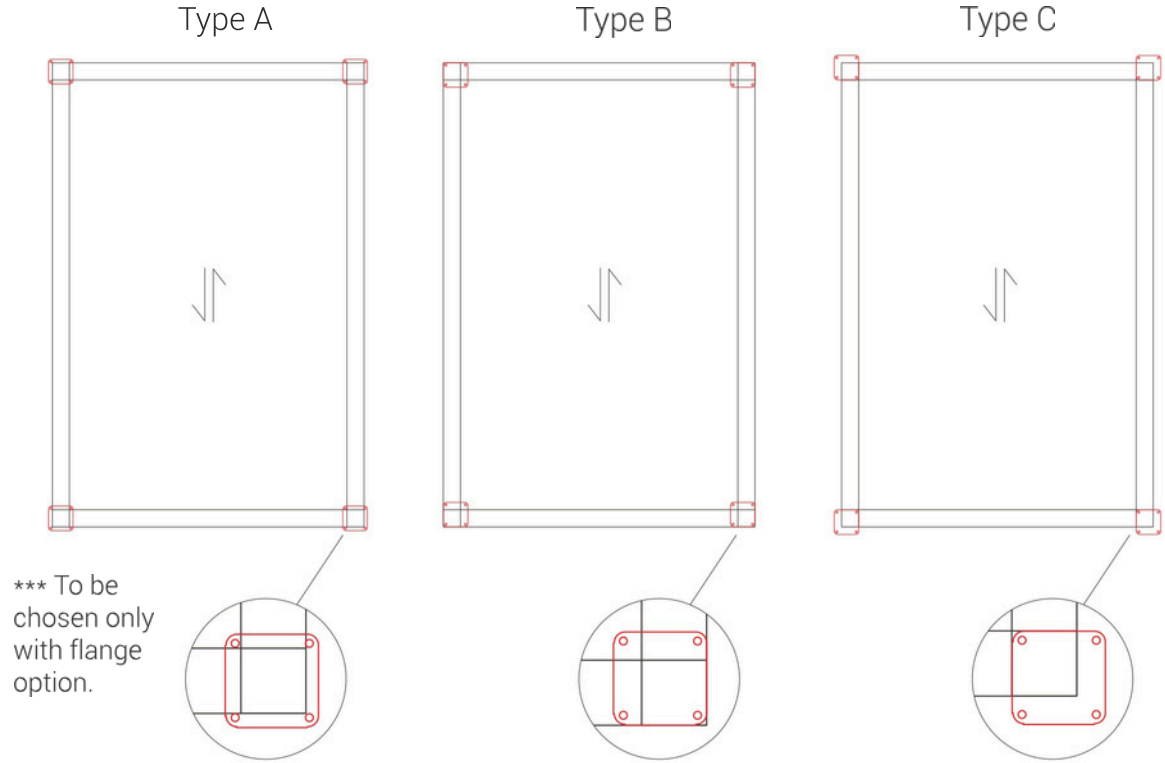


Easy access calbe cover

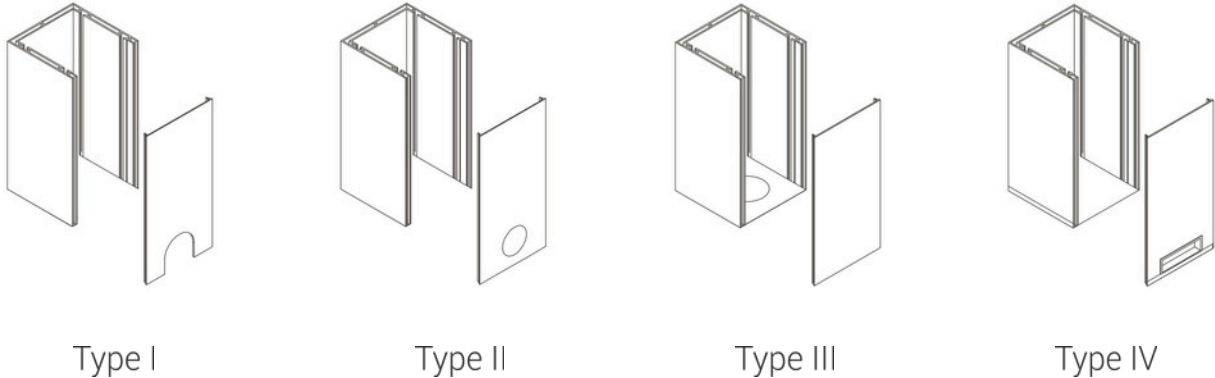
Cloumn Base Options



Flange Positions

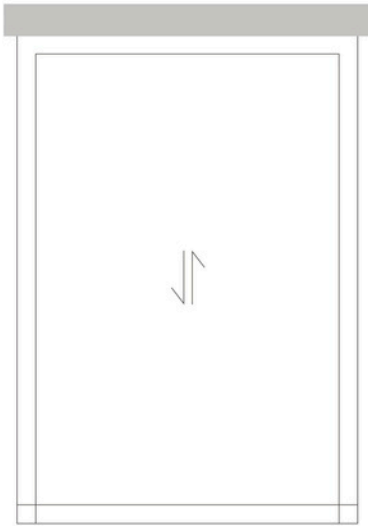


Drainage Types



Wall Installation Louvre Positions

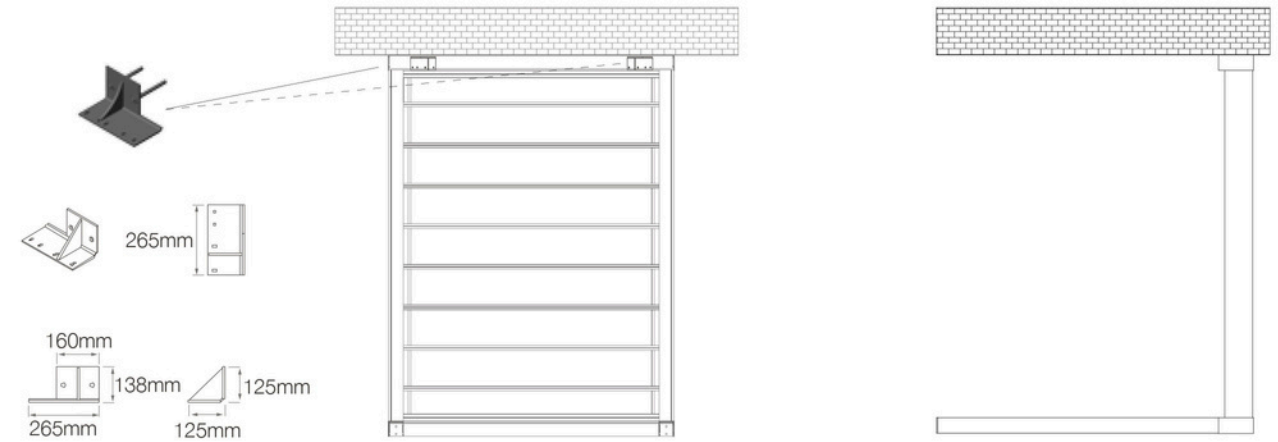
Paralel To Wall



Vertical To Wall

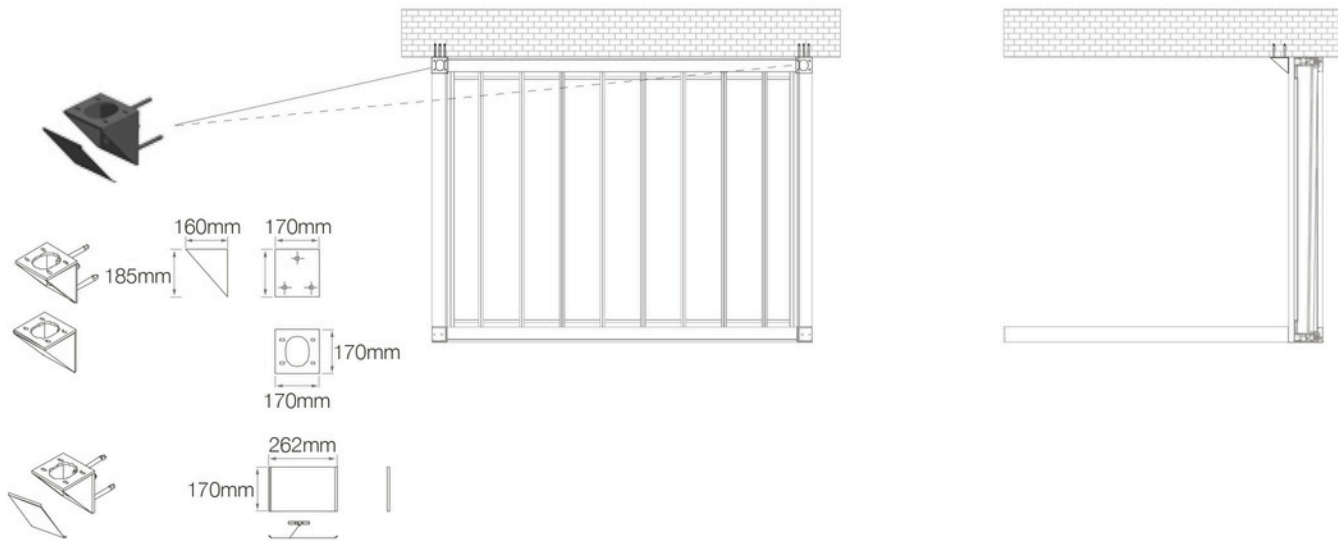


Inner (Hidden) Wall Bracket (Inox)

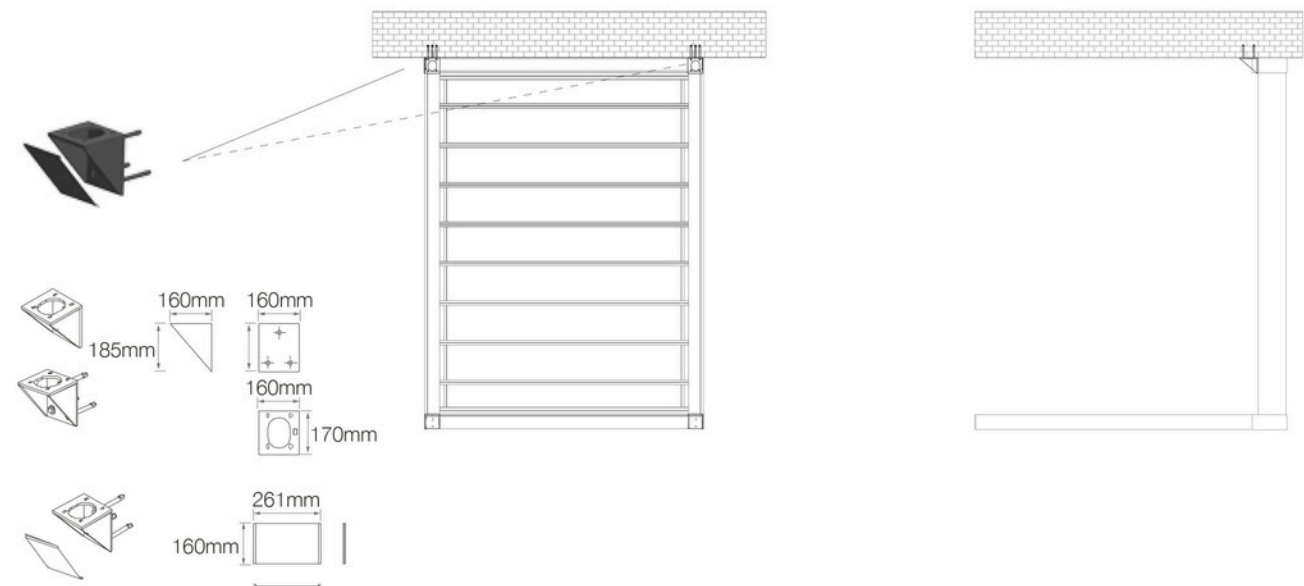


Hang Bracket Types

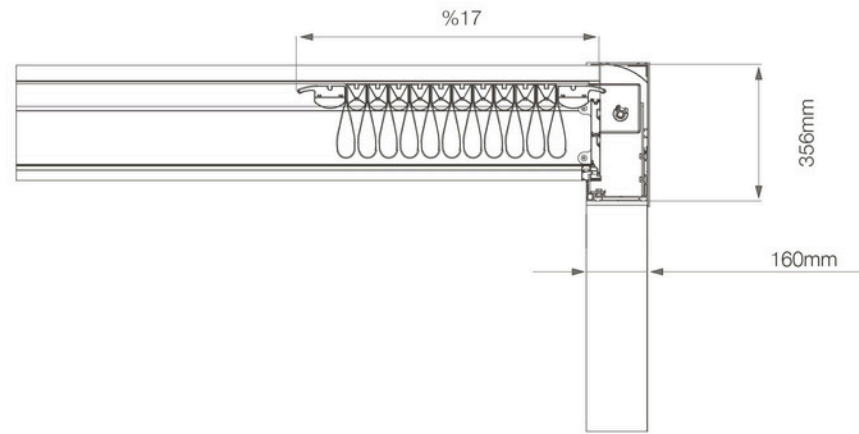
Vertical Mounting Outer Wall Bracket (Inox) With Optional Cover Cap



Paralel Mounting Outer Bracket (Inox) With Optional Cap



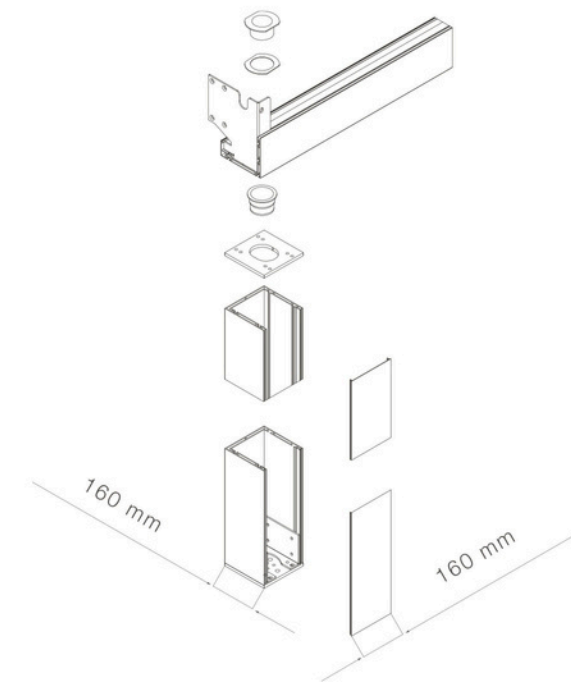
Side Elevation



Column Connection

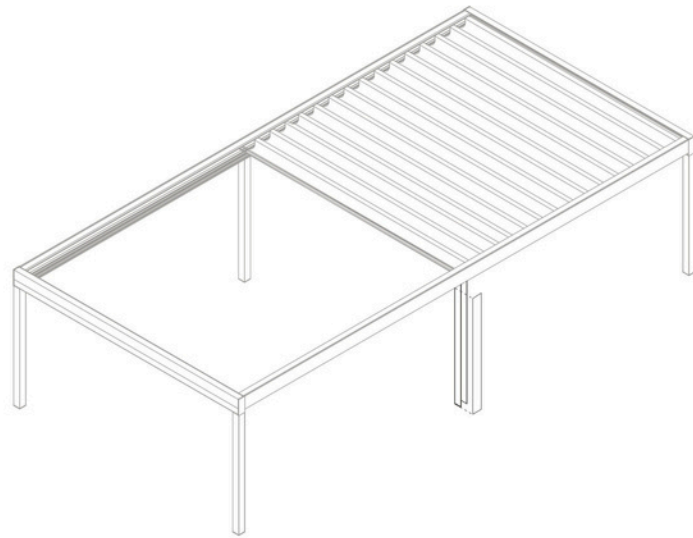
Thanks to ease column base assembly each column can be installed practically through a series of simple operations that guarantee installation quality and speed to reduce number of staff required.

The front column cap can be pulled out simply and the inner column cavity conceals the wiring cables of heater, speaker or automation to provide a clean appearance.



Support Column

Over 700mm projection dimension support columns need to be used.



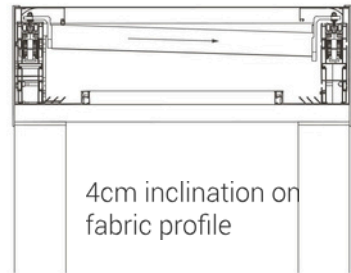
Water Flow

The fabric is equipped with invisible bilateral slope that enables one side or alternating drainage through rafters while keeping flat appearance.

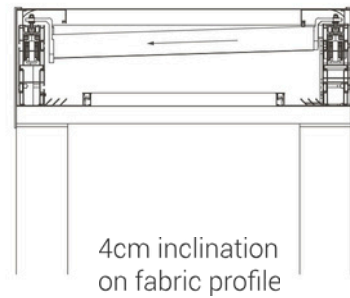
One Side Flow



Right Side Flow



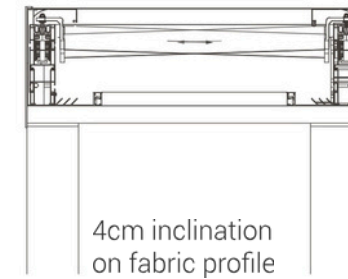
Left Side Flow



Alternating Flow



Double Sided Flow



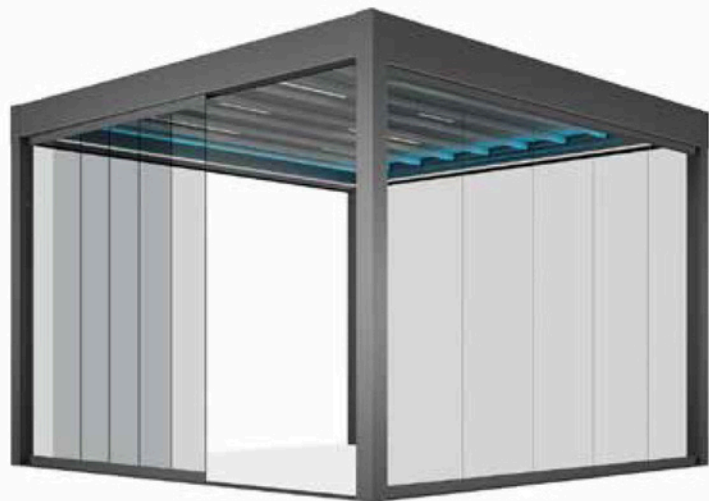
Closures



Sliding Framed Glass System

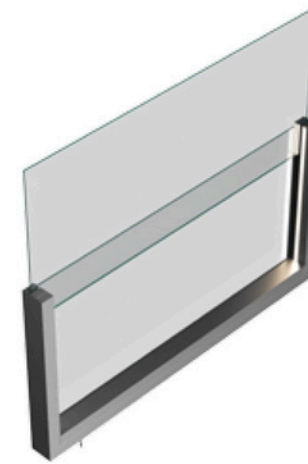
The combination of the sliding glass system with Cubex ensures efficacious protection from wind and rain.

The aluminium frames which cover each glass panel provide maximum safety standards and practicality with elegance details.



Sliding Frameless Glass System

This system, which is compatible with the Cubex system, maximizes its space usage performance and becomes almost invisible with its frameless glass structure.



Swing

Swing can be combined with also Cubex system and offers adequate wind breaking with the option of total transparency by incorporating the function of balustrade. Thanks to led stripe dimmer lighting integrated side frame the fixed panel assigns distinctive appeal. The system is modular and completely flexible as there are no limits in the horizontal direction that can be used to surround spaces of all types and sizes.



Zippex Zip System

The minimalist, slimlane, contemporary design of the zip system provides comfortable shade and protects against the UV rays. The system includes motorised aluminium structure, entirely powder-coated with stainless steel bolts and screws.



Motorized Vertical Sliding System

Motorized Vertical Sliding can be adapted to Cubex system and offers a maximum clear span that provides unobstructed view & minimalistic style. The system is operated by just the touch of button.

Technical Details



Max. width for single module	5500 mm
Max. projection for single module	8000 mm
Rafter profile dimension	252x81 mm
Post dimension	160x160 mm
Fabric parking area	17%

Automation	dahil
Control unit	dahil
Led Stripe Dimmer	opsiyonel
RGB Led - Hidden Stripe Lighting	opsiyonel
HDD Lux High Power Led lighting	opsiyonel
Dimmer kit	opsiyonel
Drainage pipe	opsiyonel
Flange	opsiyonel
Rain sensor	opsiyonel
Wind sensor	opsiyonel
Sun sensor	opsiyonel
Wind & sun sensor	opsiyonel

Technical Specifications

Distinctive Aesthetic Style With
Intelligent Lighting Control

Description

Cubex is an exclusive high-tech version of pergola system composed of a high grade structural aluminium frame and retractable blackout fabric system introduces unique, innovative lighting solution integrated inside the fabric layer.

Dimensions

One Module

Width 1500 mm < 5500 mm

Projection 1500 mm < 8000 mm

Column height 3000 mm

- Blocked assembly for customized modules with a wide range of flexible combinations.

Technical Characteristics

- Extruded aluminium frame, gutters - clean edges.
- Electrostatic powder-coated frame.
- High-quality aluminum extrusion profiles (Aluminium Alloy 6063-T6).
- High grade stainless steel connection components.
- Concealed screws to offer clean finish.
- Large span with 5500mm dimension.
- Remote control for operation of mechanism and lighting.
- One side or alternating drainage on sides by invisible 40 mm slope.
- Patented lighting technology integrated within the fabric layer (Symmetrical / Asymmetrical design options).
- Fully waterproof coverage.
- Internal rainwater down-pipe for columns.
- Heat resistant, %100 waterproof and flame retardant blackout fabric with alternative color options.
- Extended open sky when roof retracted (open sky up to %83).
- Invisibly integrated electrical cables.
- In addition to standard RAL colors, Exclusive and Texture range aluminium colors can be offered as extended selection.

- Applicability of guillotine, sliding, folding glass, zip systems.
- Fast and smooth operation with compact 26rpm direct drive motor box system.
- RC6 6-wheel special trolley system that provides easy movement
- Balanced movement in the movement profile thanks to the high resistance timing belt.
- Production in accordance with ISO 9001, ISO 1400, CE and NVA standards.

II Installation Methods

- Individual modules can be customized according to specified finish up to 5500mm width and 8000mm projection with flexible installation methods such as integration into existing frame systems, wall-mounted or free standing options.
- The system may consist of single or multiple modules.

III Columns

- Dimensions 160 x 160 x 3mm
- Simple column assembly
- The column cap profile can be pulled out simply and inner column cavity conceals the wiring cables of heater, speaker or automation to provide pure appearance.
- 3 different column base options: Hidden, Flange, Flange with cap

IV Weather resistance

Wind Resistance

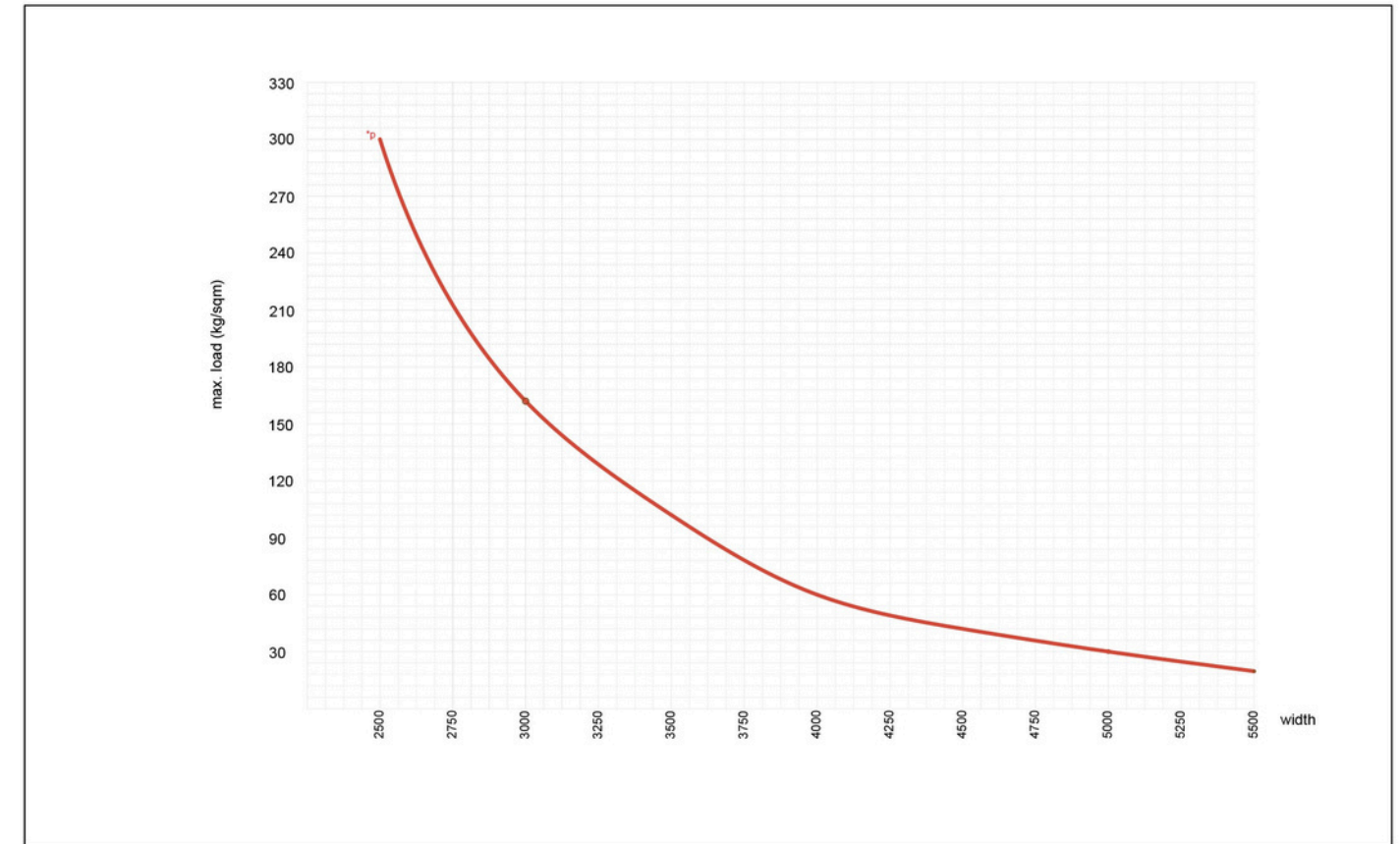
- Wind rating up to Beaufort 10 (102km/h).

Water Drainage

- The four sided gutter for completely ensured waterproofness.
- Water drainage with an intensity of 155/L/h/sqm that last up to 2 minutes max.
- Optional PVC pipe (Ø70) integration inside columns.
- Customised drain points flexibility.

Snow Load

See dimension based snow chart below;



V Tests

Our systems are subjected to various checks to confirm that they can maintain their performance at full capacity in all conditions. Wind, rain water and snow tests carried out in accordance with international standards offer the perfect performance of our pergolas against the toughest weather conditions.

Wind Load



Standard UNE-EN 13659:2004+A class 6 (approx. 102km/h) without breaking within test bench parameters.

Snow Load



<300kg/m² (inc. own weight) Standard EN-1999 EUROCODE 9 aluminium structures project.
*Values will be decreased with dimensions)

Rain Load



Standard UNE-EN 12056-3, (0,04l/s max.) constant heavy rain approx. 155 l.m²/h (structures + slats)

VI | Additional Equipments

- Heater, speaker, air conditioner or other automations can be integrated
- Wind, sun, rain and wind%sun sensors can be adapted.

VII | Lighting

Integrated RGB-Led Hidden Stripe Dimmer Lighting on sides within the structure and HDD Lux High Powered Led Lighting on the lighting profile.

Led Stripe Dimmer Lighting

Cool White, 60 LEDs/m I +5100-6500K I 1130 lumens/m

Daylight, 120 LEDs/m I +2800-3500K I 1094 lumens/m

RGB Led-Hidden Stripe Lighting

60 Leds/m

*Lumen values will be highly decreased by color..

HDD Lux High Powered Led Lighting

Cool White, +/-5550K I 200 lumens/pc

Daylight, +/- 2920 K I 160 lumens/pc

*Dimmer option is available.

VIII | Sensors

Rain, Wind, sun and wind&sun sensor can be adapted for an optimum level of comfort. These smart sensors are designed to respond fully automatic based on weather conditions in a specidic situation. It functions as a protection against unexpected weather conditions. Sensors will activate an automated system that close/retract the roof and protect the furniture & underneath of covered area even if you are not able to control the system.

Wind Sensor

Wind sensor monitors the gust of wind then retract your outdoor product to protect it against unexpected strong winds and offers constant protection.

The wind speed and lux value required to do this is set directly at sensor. If the wind picks up significantly wind sensor will retract the roof depending on pre-set wind speed. Thanks to ease of installation and minimal cabling it can be setup simply.

Sun Sensor

Sun sensor provides automatic control of your outdoor coverings based on sunlight levels. It is used to respond to the intensity of the sun by controlling your pergola system accordingly.

It will adjust your roof positions based on the sunlight intensity allowing you to control the sunliht entering your home.

Rain Sensor

Rain sensor will automatically detect the rain and close your roof to prevent raindrops falling through open roof systems even if you are not able to control the system.

If rain is detected the pergola will be closed and the remote control will be needed to open it back.

Wind & Sun Sensor

Wind & Sun Sensor can be used together. Once the sun is above the sensitivity level the roof will close automatically to offer maximum convenience. If the wind picks up sişgnificantly wind sensor will retract the roof depending on a pre-set wind speed.

Sistemlerin tamamen kapatılması için Motorlu giyotin, Sürgülü Cam, Katlanır Cam kullanılabilir. Dış etkenlere karşı ek koruma ve daha şık bir duruş için Zippex Zip ve/veya Swing sistemleri entegre edilebilir.

IX | Closure Systems

Motorized Vertical Sliding

- Motorized Vertical Sliding is an automatic vertical guillotine glass system enriched with patented worm shaft technology.
- Systems can incorporate framed tempered 8 mm and 10 mm single or 4mm+12mm+4mm / 5mm+10mm+5mm double insulated glazing.
- Optional 2 or 3 panels configurations are available up to 4 meters width and 3 meters height or 3 meters width and 3,5 meters height.
- Electrostatic powder-coated frame.
- Operation is motorised.
- Upwards or downwards parking position options.
- Fixed panels can be used as balustrades.
- The position of movable panels can be adjusted according to desired height.
- Thanks to strengthened counterweight movement mechanism motor provides balanced&silent up/down operation.
- Fully hidden motor drive.
- Switch, remote or smart home control availability.
- Fine frames with thermal and sound insulated rubber seals.
- Wide open view with up to 4 meters width vertical glass panels.

Sliding Frameless Glass

- Electrostatic powder coated frame.
- It has thin aluminum glass profiles.
- Individual panels can be moved horizontally with single or double scrolling options.
- Double roller lower wheel trolleys provide optimum and inclined operation even on large glass panels.
- Consecutive panels can be moved with the clamp mechanism.
- Trolleys with height adjustable wheels up to 5 mm.
- Curved rail design for efficient drainage.
- Anodized bottom rail for easy and smooth movement.
- Rain and wind resistance with double-sided transparent seals (standard), brushed transparent seals or aluminum slats scrub.
- Brush and rubber cord for high frame insulation.
- Non-slip rubber provides safe passage and also facilitates rail surface cleaning.
- Transparent sliding glass panels as standard as well as Blue, Green, Smoked and Bronze glass color options.
- Internal or external locking of sliding panels with optional key lock for security measures.
- Flush Circle and Push & Pull Bar handle types and Allen&Key lock.
- Possibility of combination with the Zippex Zip System for sun protection.
- Available with 3 or 5 rails up to a maximum of 10 panels with side or central openings.

Sliding Frame Glass

Sliding Frame glass system is made of fine-framed aluminum which cover each individual glass panel enables the individual parallel

panels to be moved horizontally with single or double slide options.

- Double insulated glass (4+11+4mm).
- Transparent sliding glass panels in standard besides of Blue, Green, Smoked and Bronze glass color options.
- Electrostatic powder-coated frame.
- Internal or external locking of the sliding panels by optional key lock for security measures.
- Handle with Key Lock or Button lock and Pull Handle with Key Lock.
- Combination availability with Vertex Zip System for sun protection.
- Available with 2 or 3 rails up to maximum 6 panels combined with side or central openings.

Swing

Swing – Automatic vertical up-down glass panel.

System is preferred at restaurants, cafes and terraces either private or commercial as an automatic vertical up-down glass separator for

outdoor spaces, besides fixed panel can also incorporate the function of balustrade.

- Electrostatic powder-coated frame.

- Extruded aluminium fix panel frame
- Concealed screws to offer clean finish.
- Horizontal counterweight for smooth motion
- High strength belt mechanism for balanced movement.
- 10mm fixed and 8mm up-down automatic moveable tempered glass panels.
- Frameless moveable glass panel for unobstructed view.
- Led stripe dimmer lighting integrated side frame / invisible electrical cables.
- Remote control for operation of mechanism and lighting.
- Fast opening-closing cycle.
- Fully hidden compact direct drive motor system.
- Ease of installation with single or multiple modules.
- Portability with optional wheel integration.
- Availability of usage as balustrade in closed position.

Zippex Zip System

- Zip system is designed especially for outdoors use thanks to its system of zipper rails which can tolerate strong gusts of wind besides offering protection and a higher degree of privacy.
- It provides comfortable shade and protects against the UV rays.
- The system includes motorised aluminium structure.
- Each screen has a pair of identical side channels
- Entirely powder-coated with stainless steel components.
- Maximum protection against solar radiation and penetration of heat while preserving the optimal level of natural light in the interior and contact with environment.
- The production technology of fabrics ensures a high resistance to external influences such as wind or changes in

Doors

Glass door

- Frameless hinged and frameless hydraulic glass doors are available.
- Single tempered glass (10mm)
- Available with single panel and double panels (each panel in maximum 1000mm)
- Flush Circle and Push & Pull Bar handle types and Allen&Key lock.
- Transparent panels in standards besides Smoked, Green, Blue and Bronze color options.
- Handle position height can be adjusted as desired (Standard height value is 110cm).
- Allen&Key lock for security.

Framed Glass Door

- Hinged and hydraulic framed glass doors are available.
- Electrostatic powder-coated frame.
- Available with double insulated single panel and double panels (each panel in maximum 1000mm).
- Double insulated glass (4+11+4mm).
- Transparent panels in standards as desired (Standard height value is 110cm).
- Internal or external locking of the sliding panels by optimal key lock for security measures.
- Push & Pull Bar handle types
- Pull Handle / lock

Photocell Door

- Aluminum framed automatic glass door.
- Electronic lock
- Possibility of manuel usage in emergency situations
- Electrostatic powder-coated frame
- Available in Laminated glass (4+4mm)
- Singel panel and double panel options (each panel in maximum 1000mm).
- Fast opening-closing cycle and insulation materials for preserving heat balance indoor and outdoor.
- Transparent panels in standards besides Smoked, Green,Blue and Bronze color options.
- One side button or double side button and double sided transition types.

Operations

One Side



Alternating



Lighting Options

Led Stripe
Dimmer Lighting



RGB - Led-Hidden
Stripe Lighting



HDD lux High Power Led Lighting



Sensors

Rain Sensor	Sun Sensor
Wind Sensor	Wind & SUN Sensor

Installation Types

Self Standing Single Module



Self Standing Multiple Modules



Wall Mounting Single Module

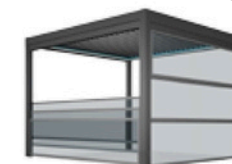


Wall Mounting Multiple Modules



Closures

Motorized
Vertical Sliding



Sliding Frame
Glass



Sliding Frameless
Glass



Swing



Zippex



X Structure Color Options / Finishes

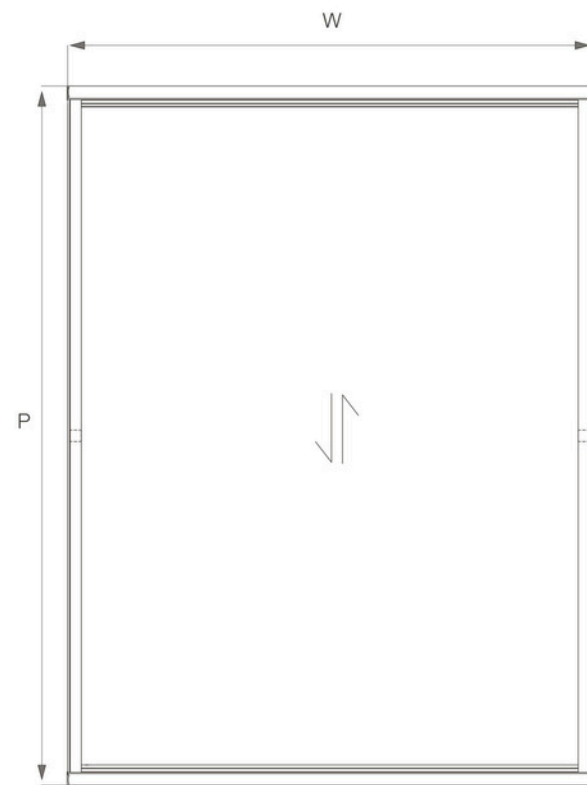
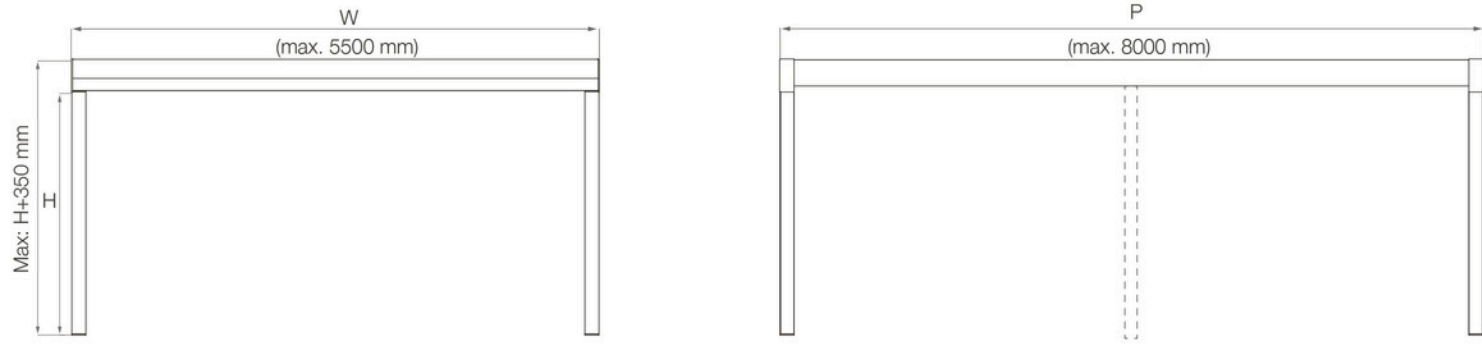
- The products are available with a wide range of color options in standard or architectural textured coatings.
- In addition to standard RAL colors, Exclusive and Texture range aluminium colors can be offered .
- QualiMarine and Qualanod finishes are also available beside of Qualicoat finishes.

XI Warranty

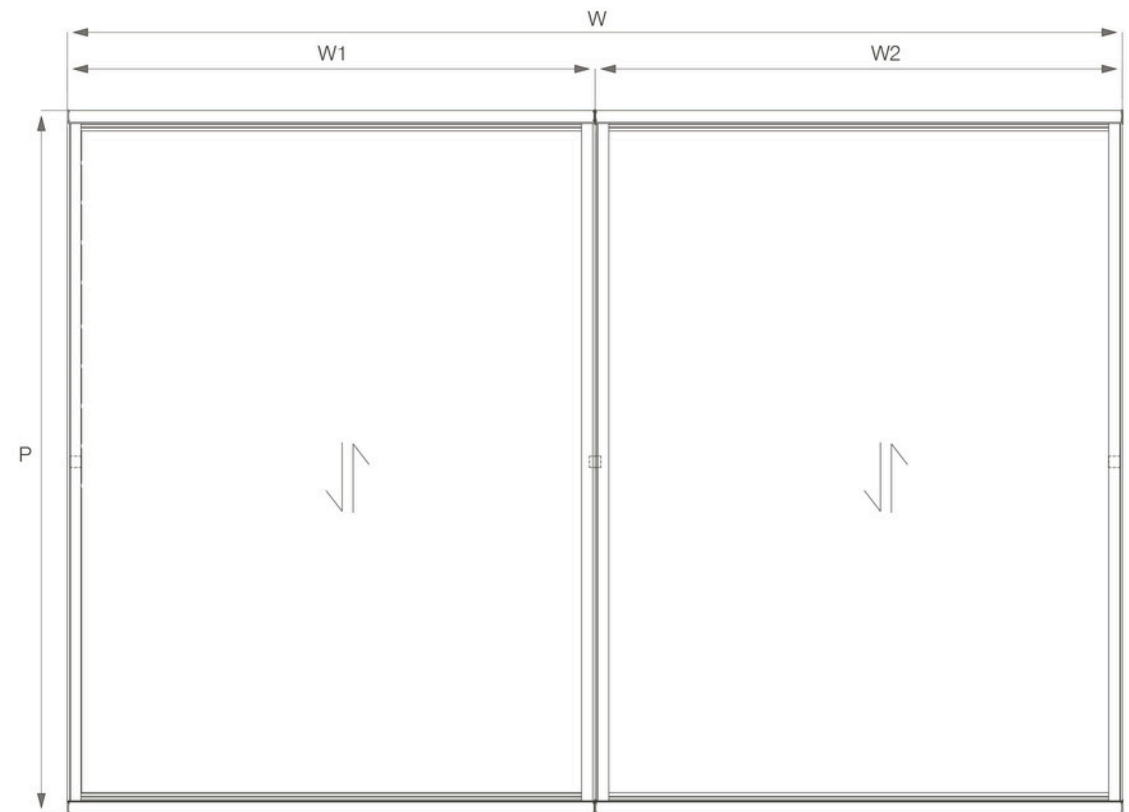
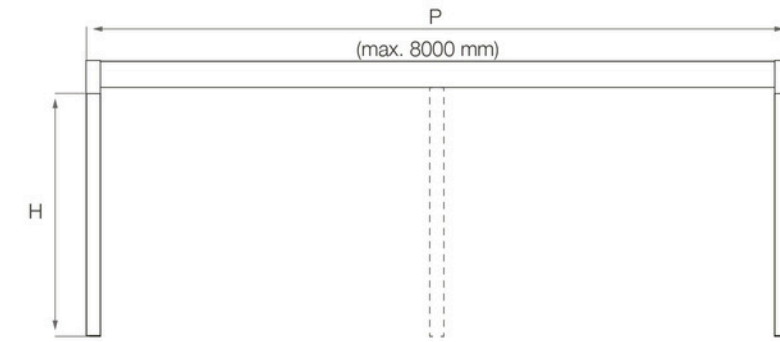
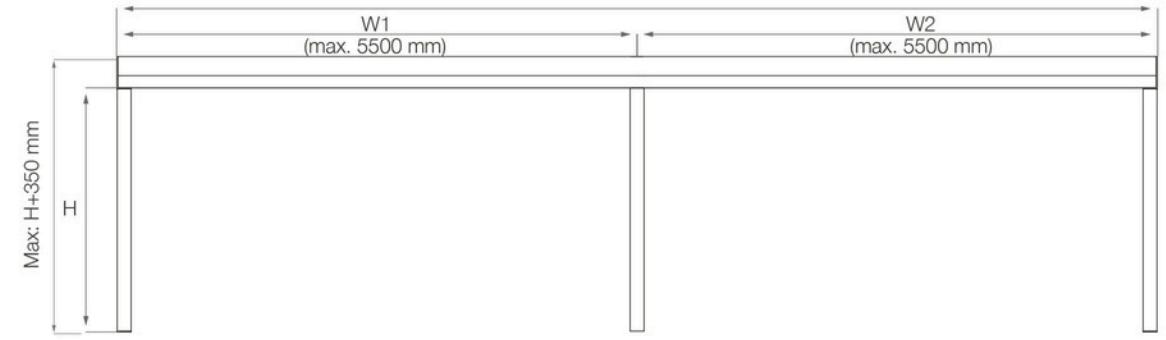
	Quattro	Sapphire	Sliding Glass	Sliding Frame	Vertex	Swind
Structure& Coating	5 years	5 years	5 years	5 years	5 years	5 years
Motor&Control Units	2 years	2 years	2 years	2 years	2 years	2 years
Lighting& Control Units	2 years	N/A	N/A	N/A	N/A	2 years
Fabrics	5 years	N/A	N/A	N/A	5 years	N/A

**Enduser and installation defects are not covered.

Single Module
W: 1500 mm < 5500 mm
P: 1500 mm < 8000 mm



Multiple Modules Type 1
W: 3000 mm < 11000 mm
P: 1500 mm < 8000 mm



Multiple Modules Type 2
W: 1500 mm < 55000 mm
P: 3000 mm < 16000 mm

